



INFINITY CLOUD LUMINAIRE

The **INFINITY CLOUD LUMINAIRE** is a squared ceiling fixture with a clean modern aesthetic for indoor locations. It's main point of difference compared with our standard Cloud fixtures is that these can be joined together for a virtually limitless combined length with minimal seamlines – perfect for long illuminated hallways or walkways without worrying about any conspicuous divisions between panels.

The **INFINITY CLOUD LUMINAIRE** can be surface mounted or suspended with either rigid poles or aircraft cabling. Available in glossy and matte finish options.

Suitable for the following applications:



Hospitality



Commercial Interior



Restaurants



Bar



Residential



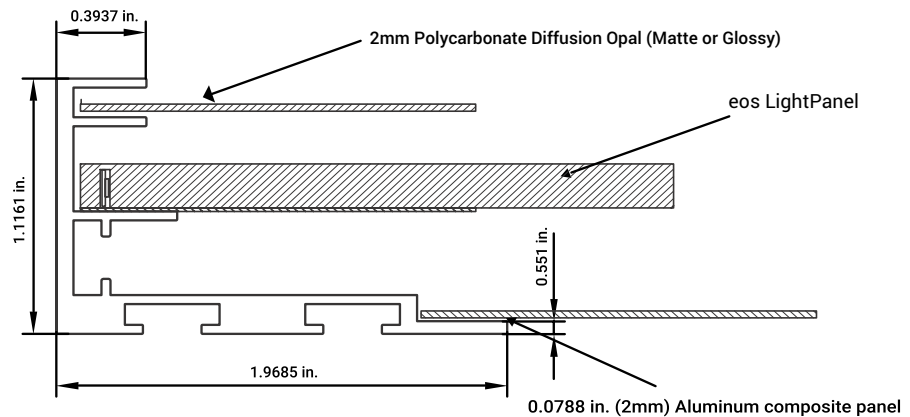
Retail



Healthcare

FEATURES :

- Single Sided Illumination
- Medium and Small Sizes
- Low Power
- Easy installation with keyhole hooks for walls and with aircraft suspended cables for ceilings



General Specifications

THICKNESS:

1/1-8"

POWER OPTIONS:

24VDC Standard Power

DRIVER INPUT VOLTAGE :

100V TO 480V

MAX DIMENSIONS

96" x 48"

LONG LIFE :

Over 50,000 hours = Nearly 12 years based on 12 hours a day. Once installed, the LightPanel System is virtually maintenance free.

IP RATNG:

Indoor Rated

WATTAGE :

4.3 W/Ft. -24V Standard Power (Optional: 12V)

DIMMABLE:

The system is dimmable to <10% when matched with Dimmable Power Supplies

LEDs :

ANSI Binned LEDs from Tier 1 Suppliers
LED CRI > 80
LED CRT - 1800K - 7500K, UV

WIRE GAUGE:

20 Gauge for Static White

SERVICE AND INSTALLATION :

Comes with standard keyhole surface mounts, optional suspension mounts are also available.



Suspended CLOUD MEDIA FRAME by rigid poles



Back of CLOUD MEDIA FRAME



Front of CLOUD MEDIA FRAME

Optional Specifications



COMPATIBLE POWER SUPPLIES :

- 0-10V dimming • DMX/DALI
- Electronic low voltage (ELV)
- RF Dimmable Plug In
- Inline Dimmable Plug-In



OUTPUT OPTIONS:

24V Standard Power available. 12V available upon request.



COLOR TEMPERATURES :

- 1800K • 2400K • 2700K • 3000K
- 3500K • 4000K • 5000K
- 6000K • 6500K • 7500K
- UV (Ultraviolet)

*formerly 5300K



APPROVALS AND CERTIFICATIONS:

The System is UL listed for Architectural applications and UL recognized for signage. All power supplies are UL / ETL listed.



<https://eoslight.com/user-guide/>



DOWNLOAD OUR USER GUIDE FOR WIRING & INSTALLATION INSTRUCTIONS



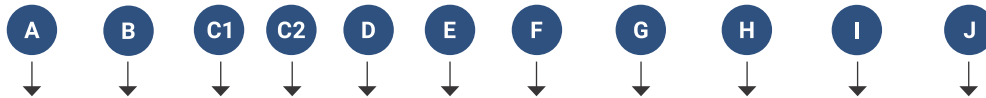
Product Specification Ordering Form

NAME: PROJECT NAME: ADDRESS:

PHONE: PROJECT LOCATION: CITY:

EMAIL: ANTICIPATED DELIVERY DATE: ZIP CODE:

COMPANY NAME: PROJECT SPECIFIER: RUSH PROJECT: Yes No



QTY	FIXTURE TYPE	VOLTAGE	DIMENSIONS (INCHES)		LED SIDES	COLOR TEMP	LED POWER	CORD LENGTH	CORD LOCATION	CORD COLOR	POWER SUPPLY
			TOP	SIDE							
5	INFCL	24V	40	50	2SL	2700	SP	CC6	TL	BC	HW

A FIXTURE TYPE

LUMINAIRE

INFCL - INFINITY CLOUD LUMINAIRE

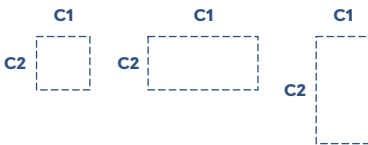
B VOLTAGE

24V - 24V (Standard)
12V - 12V (Optional)

C DIMENSIONS

(Generated by Client)

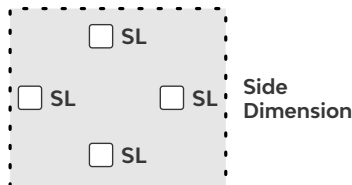
C1- Width up to 40"
C2- Length (no max dimensions)



D LED SIDES

1SL - One Side
2SL - Two Sides
3SL - Three Sides

Top Dimension



*Please note, the longest length is typically the LED side when selecting 1SL or 2SL

E COLOR TEMP

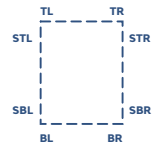
1800 - 1800K 5000 - 5000K
 2400 - 2400K 6000 - 6000K
 2700 - 2700K 6500 - 6500K
 3000 - 3000K 7500 - 7500K
 3500 - 3500K UV - Ultraviolet
 4000 - 4000K

F LED POWER

SP- Standard Power

G POWER CORD LENGTH

SC - Standard -9.8 ft.
CC_ - Custom Length ____ ft



H POWER CORD EXIT

TL - Top Left Corner BL - Bottom Left Corner
 TR - Top Right Corner BR - Bottom Right Corner
 STL - Side Top Left Corner SBL - Side Bottom Left Corner
 STR - Side Top Right Corner SBR - Side Bottom Right Corner

I POWER CORD COLOR

BC - Black WC - White

J POWER SUPPLY INFO

010V - 010V Dimmable Hardwire
 ELV - Electronic Low Voltage Dimmable Hardwire
 DMX - DMX /DALI
 PI - Plug In, DC Jack
 DPI - Dimmable Plug in w/ remote
 HW - Non-Dimmable Hardwired



PROJECT NAME:

PROJECT LOCATION:

Please fill out the form

ITEM	QTY	A	B	C1	C2	D	E	F	G	H	I	J	K	L
		PANEL TYPE	VOLTAGE	DIMENSIONS TOP SIDE		LED SIDES	COLOR TEMP	LED POWER	DIFFUSER	CORD LENGTH	CORD LOCATION	CORD COLOR	POWER SUPPLY	IF CURVED PANEL SPECIFY RADIUS(INCHES)
1	5	INFCL	24V	40	50	2SL	2700	SP	DIF	CC6	TL	BC	010V	20

1. What is the Application the panels will be used for?
 E.g.: Hospitality, Retail, Signage Etc.

2. What are the LightPanels backlighting?
 E.g.: Stone, Graphic, Glass, Acrylic Etc.

3. Will the LightPanels be installed adjacent to one another?
 Yes No
 If Yes, Please Provide Drawing of Panel Layout

4. Will the LightPanels be powered individually (1:1) or would you like to connect Multiple LightPanels to a single driver?

5. Are there any installation details to review?

5. Is there an existing Dimming or Lighting Control System?
 If so, please provide Representative with information of the Control system (specs, manufacturer, etc.)

Additional information: